

# STREK•O

*A great name in doors since 1940*

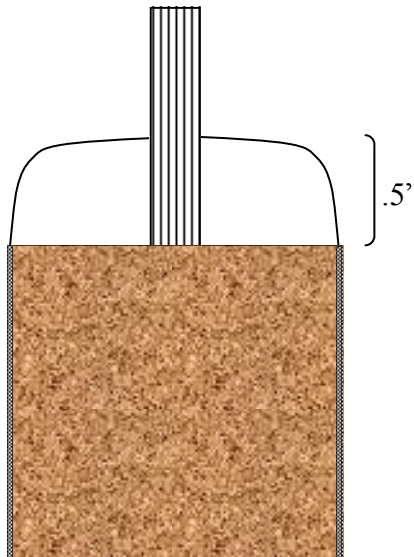
Profile Name: 1 3/4" Flush Moulding - SF

Unless otherwise specified tolerances on dimensions are:

Fractional: +/- 1/64"

Decimal: +/- .005"

Angular: +/- 2°



(Not Drawn to Scale)