

STREK•O

A great name in doors since 1940

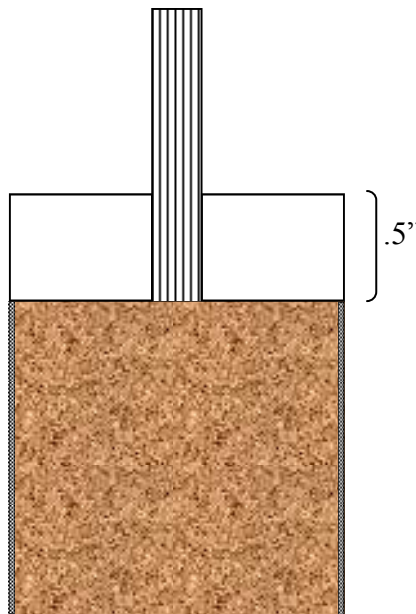
Profile Name: 1 3/4" Square Moulding - SSQ

Unless otherwise specified tolerances on dimensions are:

Fractional: +/- 1/64"

Decimal: +/- .005"

Angular: +/- 2°



(Not Drawn to Scale)